

# MORA OVENS



---

## MULTIPURPOSE ELECTRIC PIZZA OVENS

- 6 Sizes available
  - Reliable Pizza ovens
  - High quality materials
  - Perfects baking result
  - Low power requirement
  - Heavy duty insulation
- 



- 
- **Bakes all types of Pizzas** , Romana , Newyork style, Neapolitan , Swedish type
  - **Cook and grill all food types** Lasagna , Grilled meat ,Slow cooking in pan
  - **Bakes fantastic bread** , Flatbread , Pannini, sourdaugh bread ,Baguettes and much more



# MORA OVENS



---

## MULTIPURPOSE ELECTRIC PIZZA OVENS

### MODELS P20-P30

3-5



#### COMPACT 75 CM DEEP

FOOD TRUCKS  
RESTAURANT WITH SMALLER VOLUMES  
LOW SPACE

### MODELS P40-P70

7-11



#### DEEPER 82 CM DEPT

PIZZERIA  
RESTAURANT WITH HIGHER VOLUME  
40 CM PIZZA

### MODELS P60-P80

9-13



#### SMALLER 74 CM DEPT

PIZZERIA  
RESTAURANT WITH HIGHER VOLUME  
35 CM PIZZA



# MORA OVENS

Export pricelist Euro



## P20 COMPACT 75 CM DEEP

- 2 Pizza a 35 cm or 1 Pizza a 52 cm per Deck
- Dimentions WD 1160x750 baking surface 740x540 mm
- Can be order as High temp
- STAND HOOD AND WEEK TIMER ARE INCLUDED

35cm



## MODEL P21

1 DECK  
2 PIZZA  
30 PIZZAS/HOUR

6074 Euros



## MODEL P22

2 DECKS  
4 PIZZA  
60 PIZZAS/HOUR

8538 Euros



## MODEL P23

3 DECKS  
6 PIZZA  
60 PIZZAS/HOUR

10469 Euros



## EXTRAS



HIGH TEMP 500 DEGREES/PRICE PER DECK

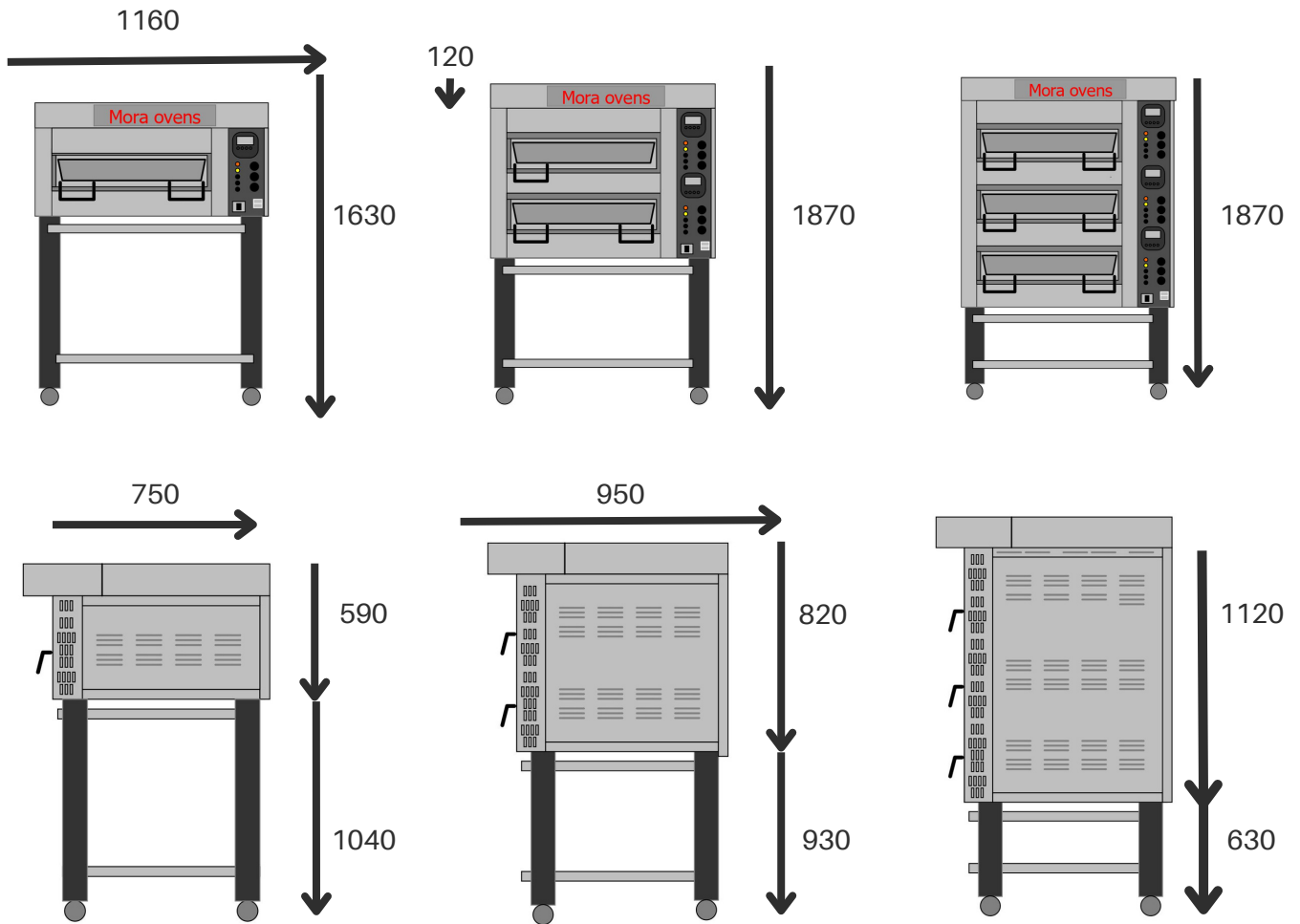
330 Euros

BISCOTTI DI SORRENTO STONES /PRICE PER DECK

330 Euros



# MORA OVENS



Model	Decks	Voltage -Power	Stones	Baking surface	Max temp
P21	1	3f/400v/5,4 Kw	2	1x740x540	0-400 °C 0-500 °C
P22	2	3f/400v/10,8 Kw	4	2x740x540	0-400 °C 0-500 °C
P23	3	3f/400v/16,2 Kw	6	3x740x540	0-400 °C 0-500 °C





# MORA OVENS

Export pricelist Euro



## P30 COMPACT 75 CM DEEP

- 3 Pizza a 35 cm or 2 Pizza a 52 cm per Deck
- Dimentions WD 1475x750 baking surface 1065x540 mm
- Can be order as High temp
- STAND HOOD AND WEEK TIMER ARE INCLUDED



35 cm

## MODEL P31

1 DECK  
3 PIZZA  
50 PIZZAS/HOUR

7 580 Euros



## MODEL P32

2 DECKS  
6 PIZZA  
60 PIZZAS/HOUR

10 258 Euros



## MODEL P33

3 DECKS  
9 PIZZA  
60 PIZZAS/HOUR

14 063 Euros



## EXTRAS



HIGH TEMP 500 DEGREES/PRICE PER DECK

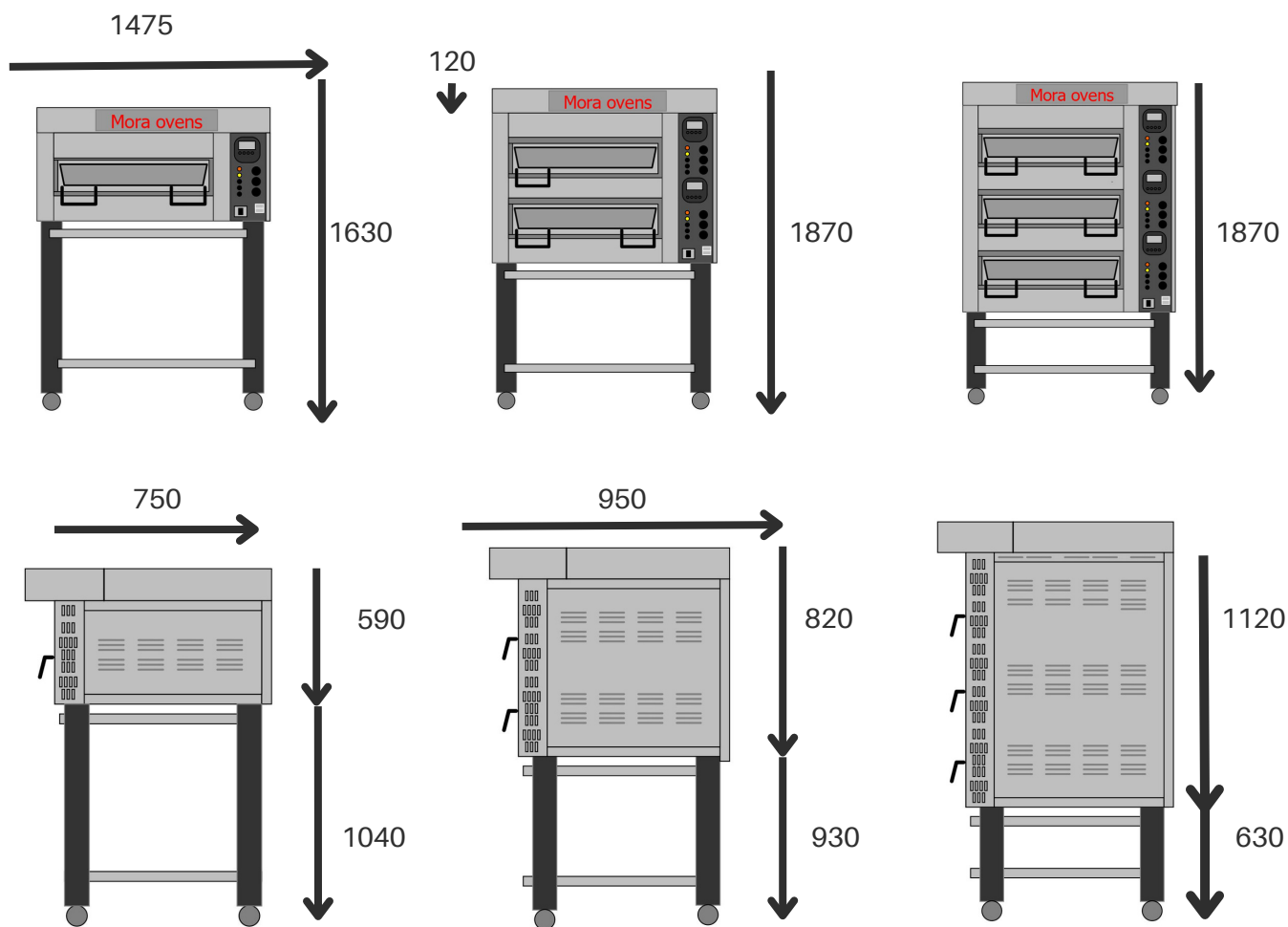
330 Euros

BISCOTTI DI SORRENTO STONES /PRICE PER DECK

330 Euros



# MORA OVENS



Model	Decks	Voltage -Power	Stones	Baking surface	Max temp
P31	1	3f/400v/7,3 Kw	3	1x1065x540	0-400 °C 0-500 °C
P32	2	3f/400v/14,6 Kw	6	2x1065x540	0-400 °C 0-500 °C
P33	3	3f/400v/21,9 Kw	9	3x1065x540	0-400 °C 0-500 °C



# MORA OVENS

Export pricelist Euro



## P40 SMALL 125 CM WIDE

- 4+4 Pizza a 40 cm or 1Pizza a 52 cm per Deck
- Dimentions WD 1250x1020 baking surface 820X820 mm
- Can be order as High temp
- STAND HOOD AND WEEK TIMER ARE INCLUDED



## MODEL P41

1 DECK  
4 BIG PIZZA  
60 PIZZAS/HOUR

7 560 Euros



## MODEL P42

2 DECKS  
8 BIGPIZZA  
120 PIZZAS/HOUR

10 693 Euros



## MODEL P43

3 DECKS  
12 BIG PIZZA  
180 PIZZAS/HOUR

13 701 Euros



## EXTRAS



HIGH TEMP 500 DEGREES/PRICE PER DECK

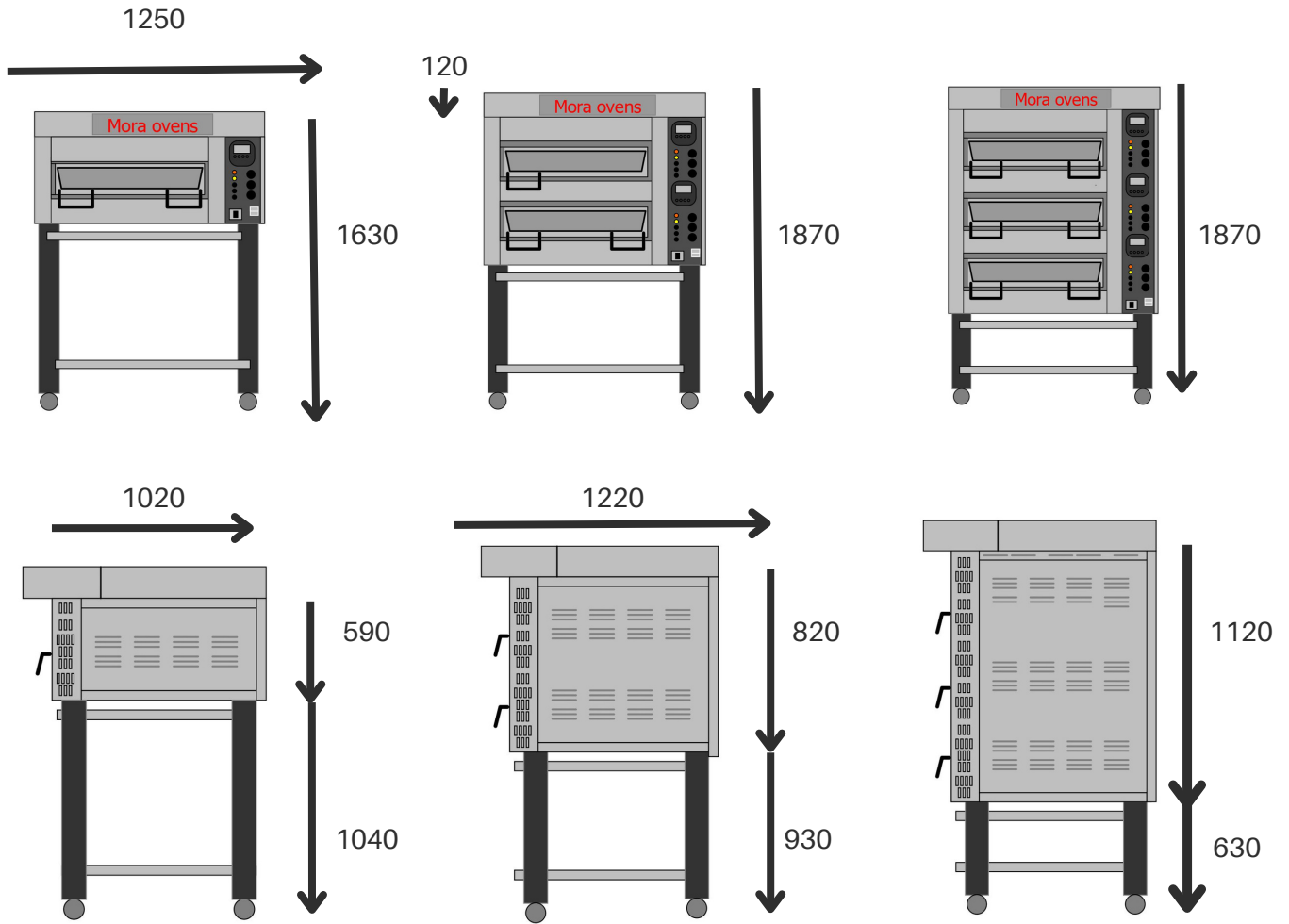
330 Euros

BISCOTTI DI SORRENTO STONES /PRICE PER DECK

330 Euros



# MORA OVENS



Model	Decks	Voltage -Power	Stones	Baking surface	Max temp
P41	1	3f/400v/9,4 Kw	2	1x820x820	0-400 °C 0-500 °C
P42	2	3f/400v/19,8 Kw	4	2x820x820	0-400 °C 0-500 °C
P43	3	3f/400v/28,2 Kw	6	3x820x820	0-400 °C 0-500 °C



# MORA OVENS

Export pricelist Euro



## P60 MULTIPURPOSE MODEL

- 6+6 Pizza a 35cm or 2 Pizza a 52 cm per Deck
- Dimentions WD 1475x920 baking surface 1065x740 mm
- Can be order as High temp
- **STAND HOOD AND WEEK TIMER ARE INCLUDED**



## MODEL P61

1 DECK  
6 PIZZA  
80 PIZZAS/HOUR

8 126 Euros



## MODEL P62

2 DECKS  
12 PIZZA  
160 PIZZAS/HOUR

10 733 Euros



## MODEL P63

2 DECKS  
18 PIZZAS  
240 PIZZAS/HOUR

14 520 Euros



## EXTRAS



HIGH TEMP 500 DEGREES/PRICE PER DECK

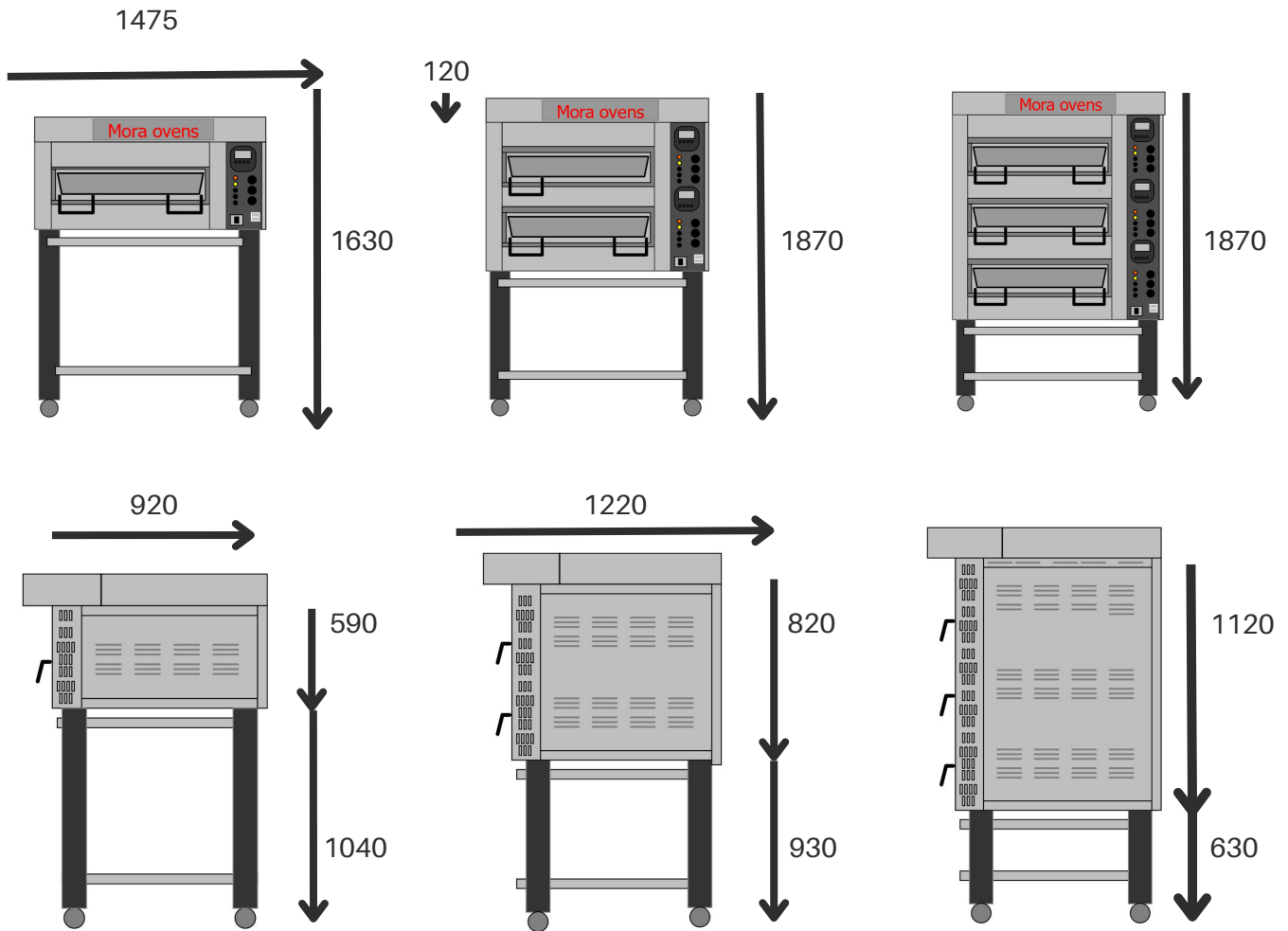
330 Euros

BISCOTTI DI SORRENTO STONES /PRICE PER DECK

330 Euros



# MORA OVENS



Model	Decks	Voltage -Power	Stones	Baking surface	Max temp
P61	1	3f/400v/10,6 Kw	3	1x1065x740	0-400 °C 0-500 °C
P62	2	3f/400v/21,2 Kw	6	2x1065x740	0-400 °C 0-500 °C
P63	3	3f/400v/31,8 Kw	9	3x1065x740	0-400 °C 0-500 °C





# MORA OVENS

Export pricelist Euro



## P70 EXTRA WIDE EXTRA DEEP

- 6+6 Pizza a 40 cm or 2 Pizza a 52 cm
- Dimentions WD 1680x1020 baking surface 1240x820mm
- Can be order as High temp
- **STAND HOOD AND WEEK TIMER ARE INCLUDED**



40cm

## MODEL P71

1 DECK  
6 BIG PIZZA  
100 PIZZAS/HOUR

8 345 Euros



## MODEL P72

2 DECK S  
12 BIG PIZZA  
200 PIZZAS/HOUR

11 199 Euros



## MODEL P73

2 DECKS  
18 BIG PIZZA  
300 PIZZAS/HOUR

15 185 Euros



## EXTRAS



HIGH TEMP 500 DEGREES/PRICE PER DECK

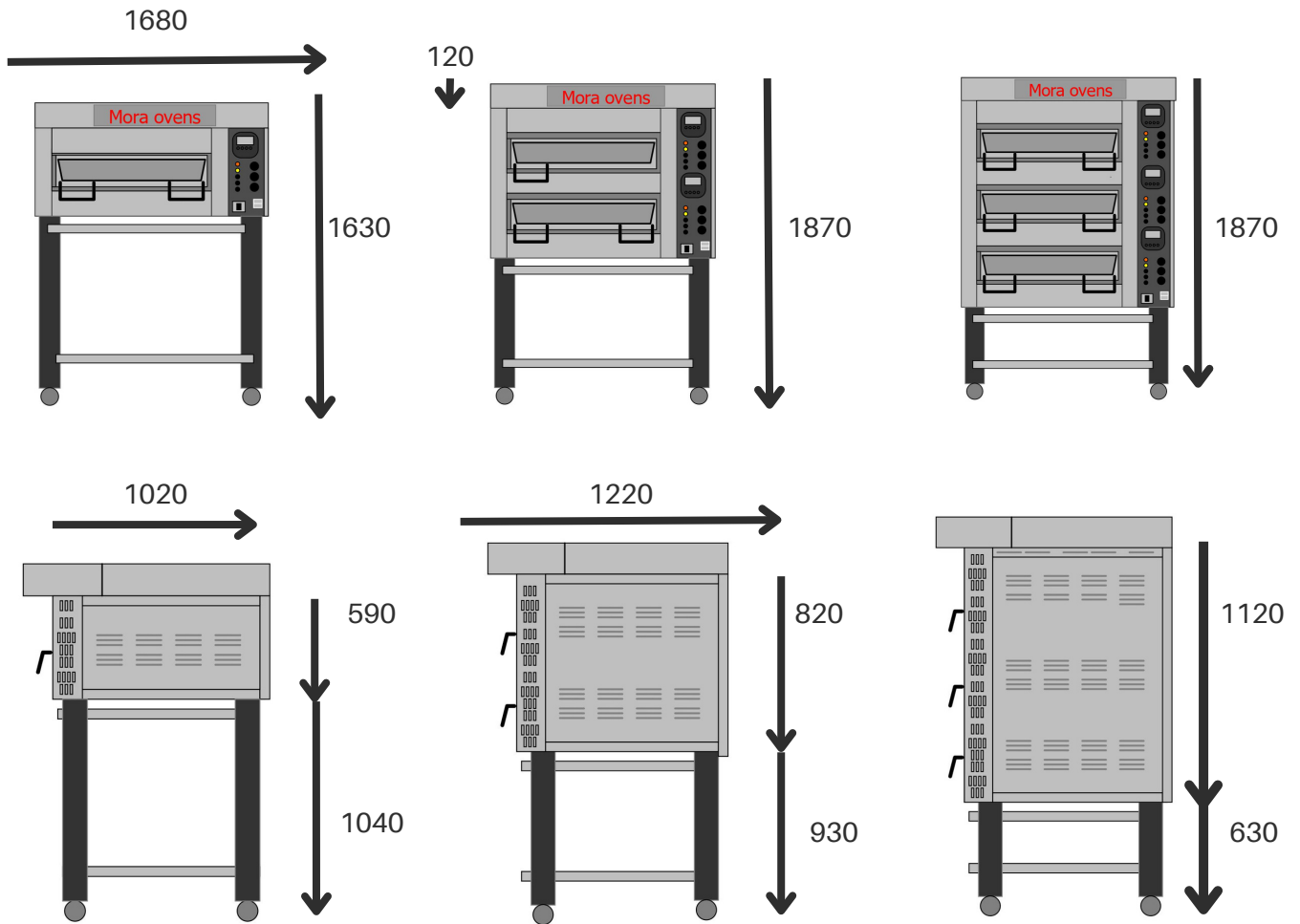
330 Euros

BISCOTTI DI SORRENTO STONES /PRICE PER DECK

330 Euros



# MORA OVENS



Model	Decks	Voltage -Power	Stones	Baking surface	Max temp
P71	1	3f/400v/13 Kw	3	1x1240x820	0-400 °C 0-500 °C
P72	2	3f/400v/26 Kw	6	2x1240x820	0-400 °C 0-500 °C
P73	3	3f/400v/39 Kw	9	3x1240x820	0-400 °C 0-500 °C



# MORA OVENS

Export pricelist Euro



## P80 EXTRA WIDE

- 8+8 Pizza a 35 cm or 2 Pizza a 52 cm + 2 Pizza a 35 cm per Deck
- Dimentions WD 1820x920 baking surface 1420x740mm
- Can be order as High temp
- STAND HOOD AND WEEK TIMER ARE INCLUDED

35cm



## MODEL P81

1 DECK  
8 PIZZA  
120 PIZZAS/HOUR

8 790 Euros



## MODEL P82

2 DECK S  
16 PIZZAS  
240 PIZZAS/HOUR

11 820 Euros



## MODEL P83

2 DECK S  
18 PIZZAS  
360 PIZZAS/HOUR

16 832 Euros



## EXTRAS



BISCOTTI DI SORRENTO STONES /PRICE PER DECK

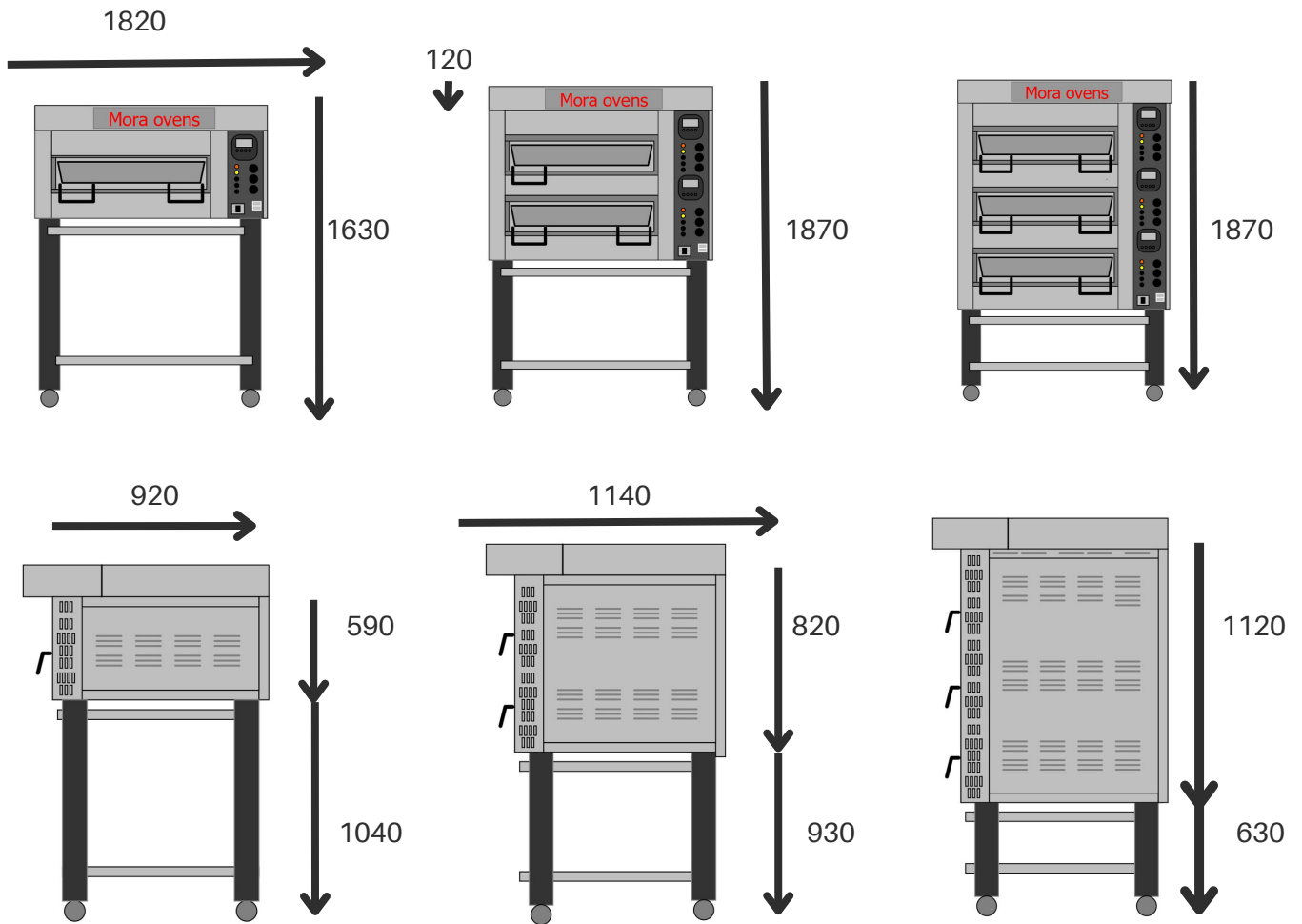
430 Euros



MORA OVENS AB  
LILLEBOVÄGEN 1,54191 SKÖVDE, SWEDEN  
+46500435000/INFO@MORAOVENS.SE



# MORA OVENS

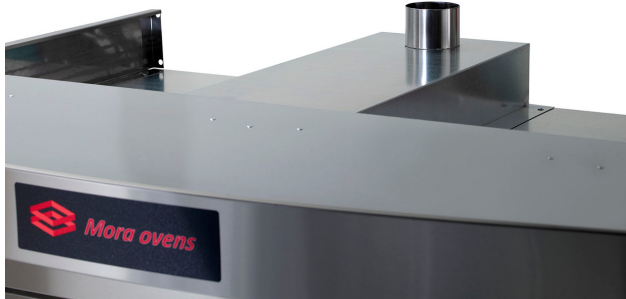


Model	Decks	Voltage -Power	Stones	Baking surface	Max temp
P81	1	3f/400v/13 Kw	4	1x1420x740	0-400 °C
P82	2	3f/400v/26 Kw	8	2x1420x740	0-400 °C
P83	3	3f/400v/39 Kw	12	3x1420x740	0-400 °C



# MORA OVENS

Export pricelist Euro



## CUSTOMER CARE HELPDESK

- 2 YEARS SPARE PARTS WARRANTY
- FULL CUSTOMER SERVICE IN ENGLISH OR FRENCH

## QUALITY FEATURES

- TEST CERTIFICAT 30 MINUTS AT 100 DEGREES FOR EACH MODEL
- STICKER TESTED ON ALL MODELS AFTER PASSED TEST

## PACKAGING

- WOOD CRATE PACKAGING IS INCLUDED IN THE PRICE



MORA OVENS AB  
LILLEBOVÄGEN 1, 54191 SKÖVDE, SWEDEN  
+46 500 435 000 / INFO@MORAOVENS.SE





## DEALERS LOCATIONS

- Sweden
- Norway
- Finland
- Danmark
- Netherlands
- Switzerland
- Austria
- France
- Estonia
- Lithuania
- Belgium

